



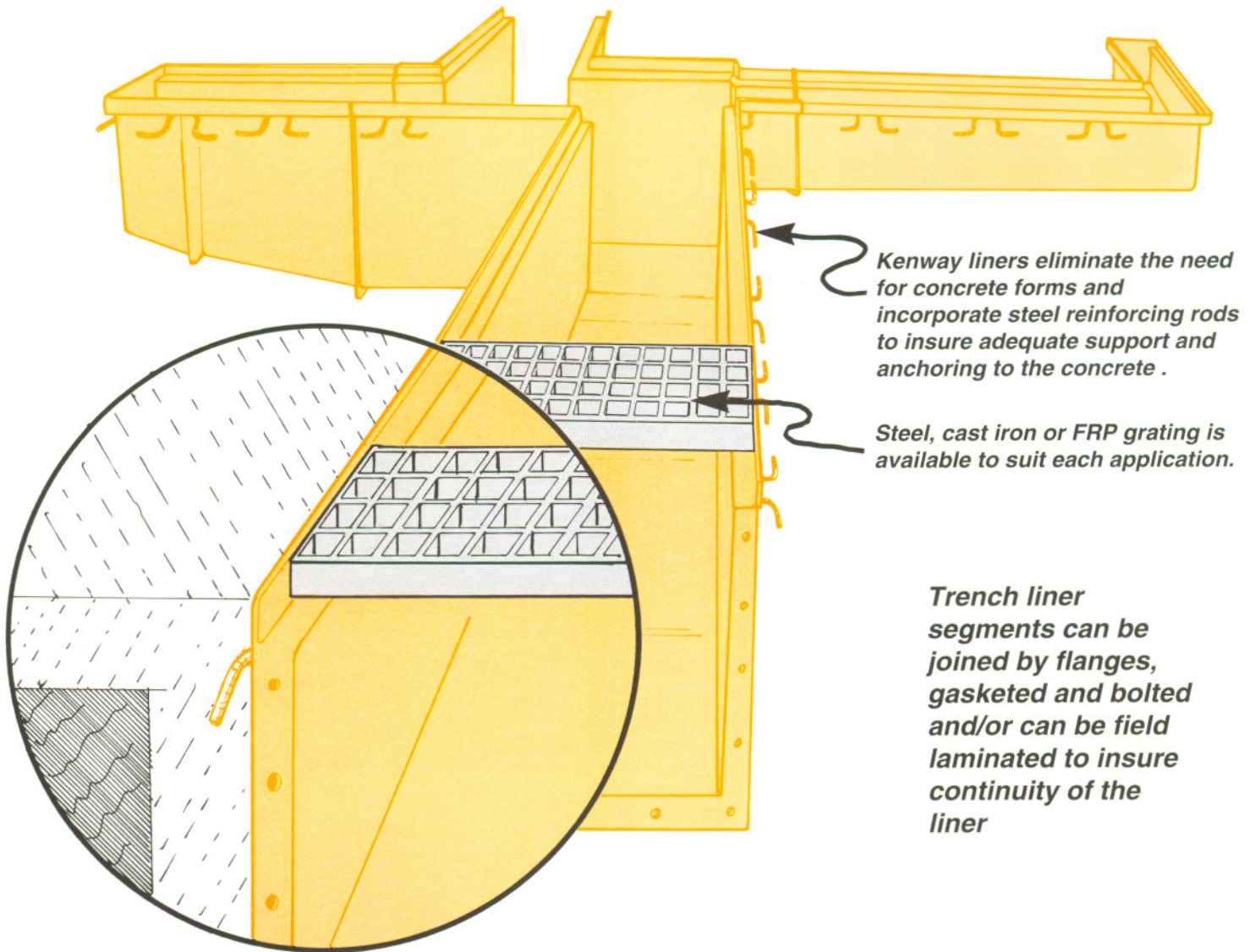
**KENWAY**  
CORPORATION

681 Riverside Drive  
Augusta, Maine  
04330-9714  
(207) 622-6229  
Fax (207) 622-6611  
email: kenway@kenway.com  
web site: www.kenway.com

## KENWAY FRP TRENCH LINER

Kenway Corporation, known for custom fiberglass fabrication of industrial corrosion-resistant piping, tanks, hoods and special-molded fittings, is now manufacturing FRP Trench Liners to specification. We use the same quality materials and hand lay-up technique for optimum integrity and corrosion resistance as with our other products.

Features of the FRP Trench Liner include custom molding to fit a variety of trench sizes and grating requirements, with lengths up to 40 feet, and we shop-fabricate tees, laterals and other branches to fit several applications.

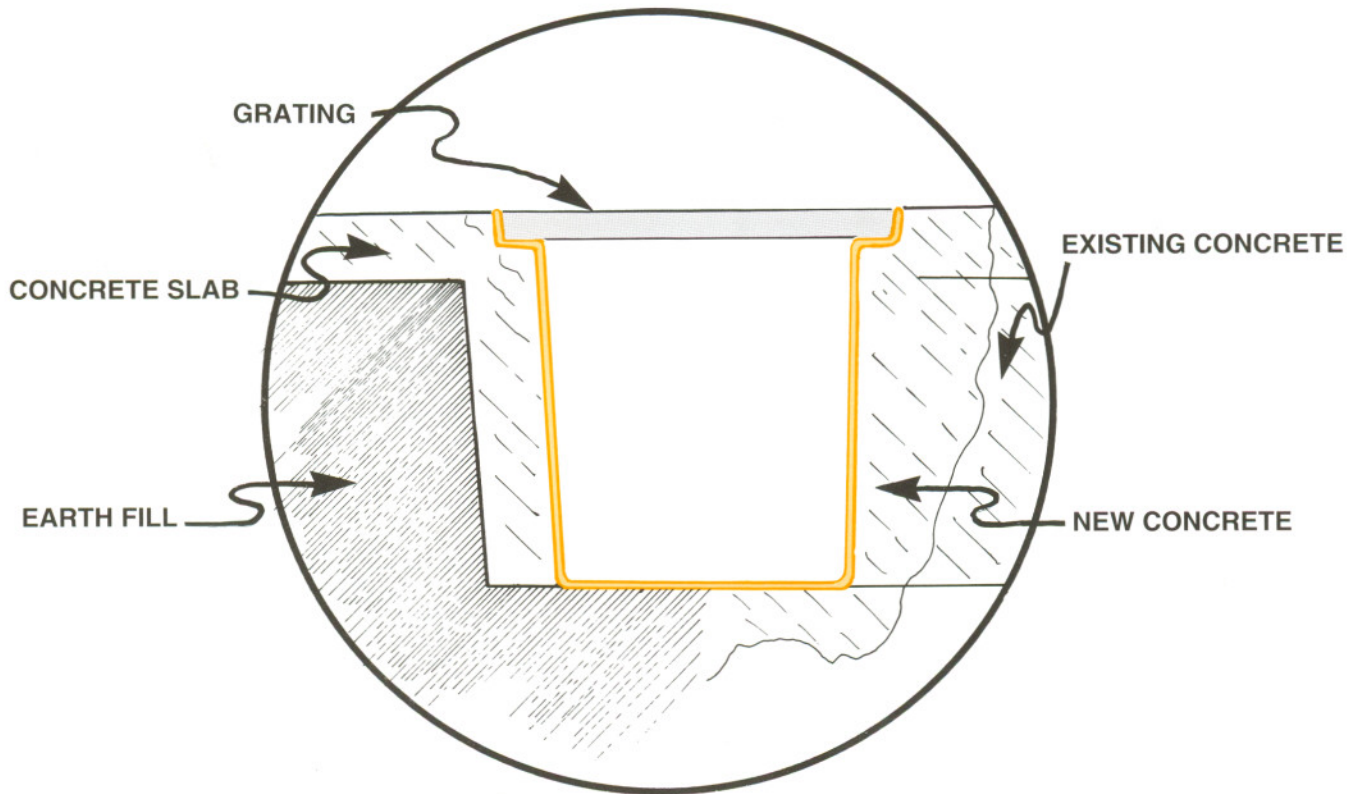


*Kenway liners eliminate the need for concrete forms and incorporate steel reinforcing rods to insure adequate support and anchoring to the concrete .*

*Steel, cast iron or FRP grating is available to suit each application.*

*Trench liner segments can be joined by flanges, gasketed and bolted and/or can be field laminated to insure continuity of the liner*

Kenway FRP Trench Liners are designed for use  
in new construction  
as well as restoration of old trenches.



Kenway Corporation offers lining service for existing machinery such as pump casings, tanks and other industrial components. As with our other industrial products, Kenway also provides installation, maintenance and repair services throughout New England.

Call for more information about Kenway FRP Trench Liners and other Kenway products. Free estimates.

Phone: (207) 622-6229, Fax: (207) 622-6611  
email: [kenway@kenway.com](mailto:kenway@kenway.com)  
web site: [www.kenway.com](http://www.kenway.com)  
*We offer 24 hour emergency service.*



681 RIVERSIDE DRIVE • AUGUSTA, MAINE 04330-9714